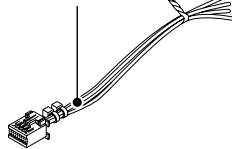
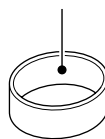


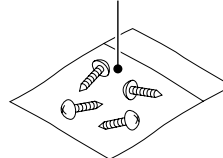
Connecting cord assy (E30-6144-05)



Accessory (W01-1606-05)



Screw set (N99-1587-05)



ADJUSTMENT

No.	ITEM	INPUT SETTINGS	OUTPUT SETTINGS	RECEIVER SETTINGS	ALIGNMENT POINTS	ALIGN FOR	FIG.
[1]	IDLE CURRENT	-	Connect an DC voltmeter between chack land A, B (Refer to the PC board)	VOLUME : 0	VR5 (A Lch) VR6 (A Rch) VR7 (B Lch) VR8 (B Rch)	After Power on 2 minutes 2.5mV	(a)

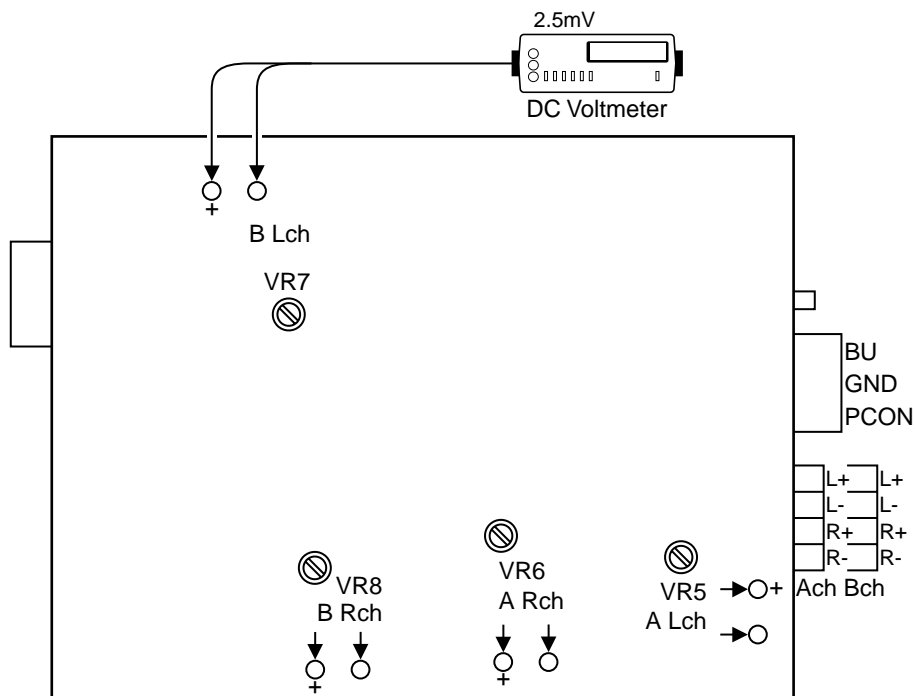
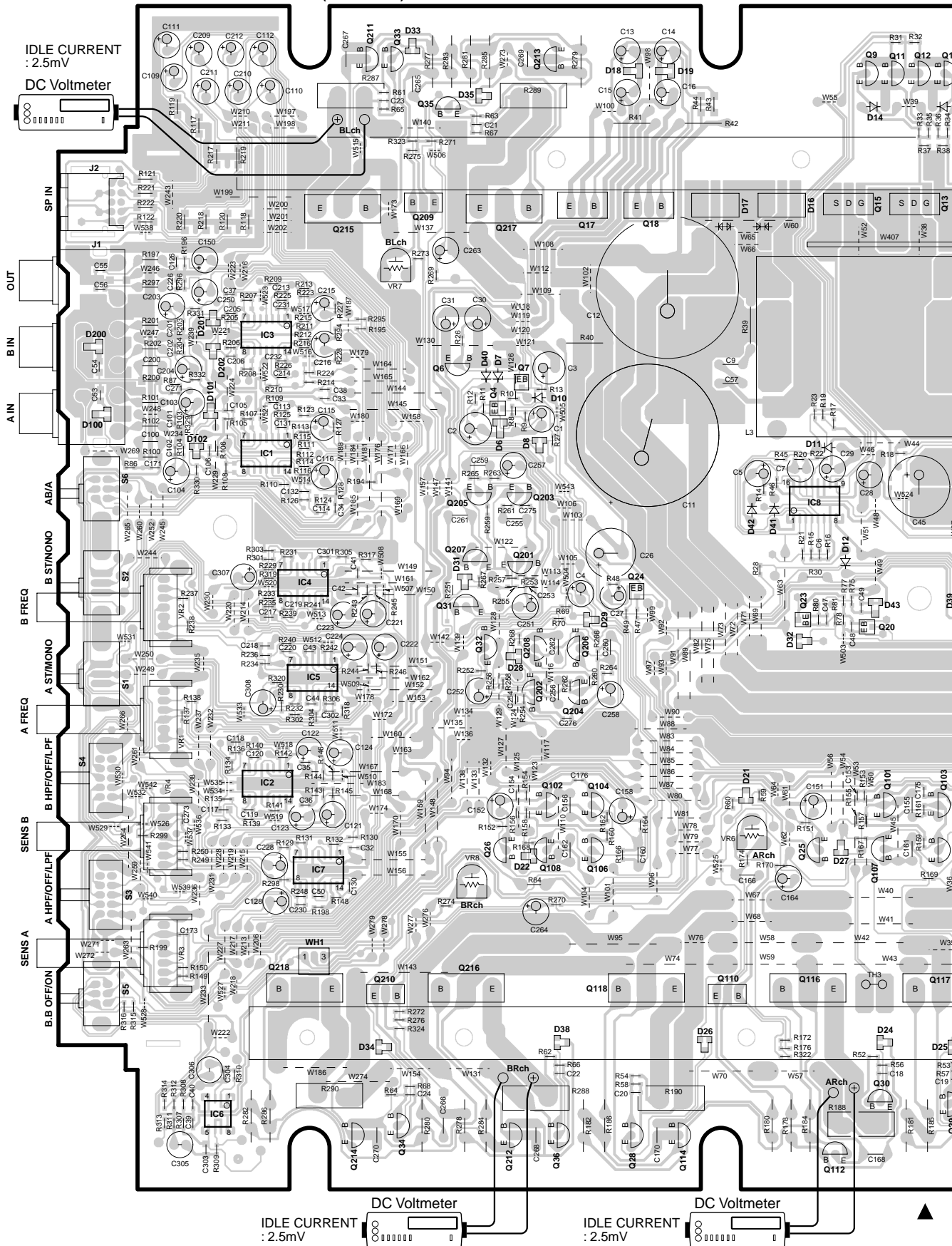
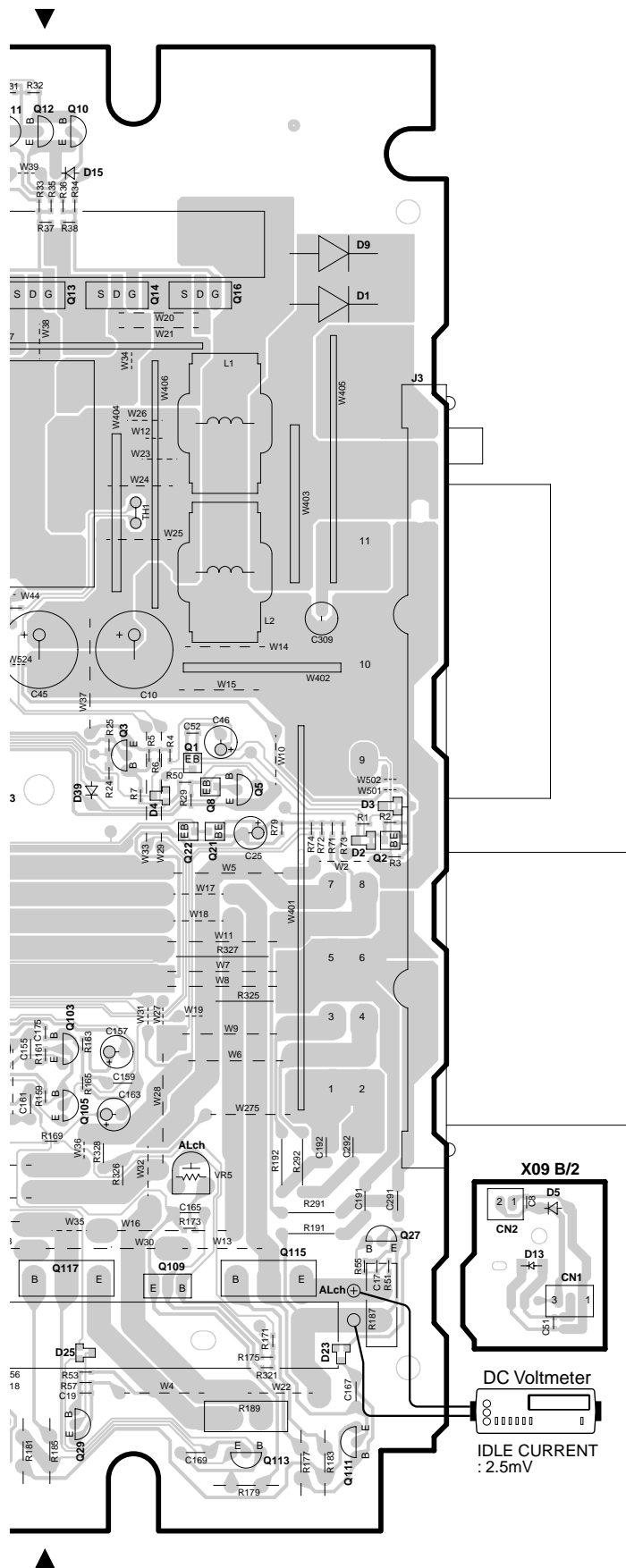


Fig. (a)

KAC-8401 PC BOARD (FOIL SIDE VIEW)

AUDIO UNIT X09-5610-10 A/2 (J74-1513-11)



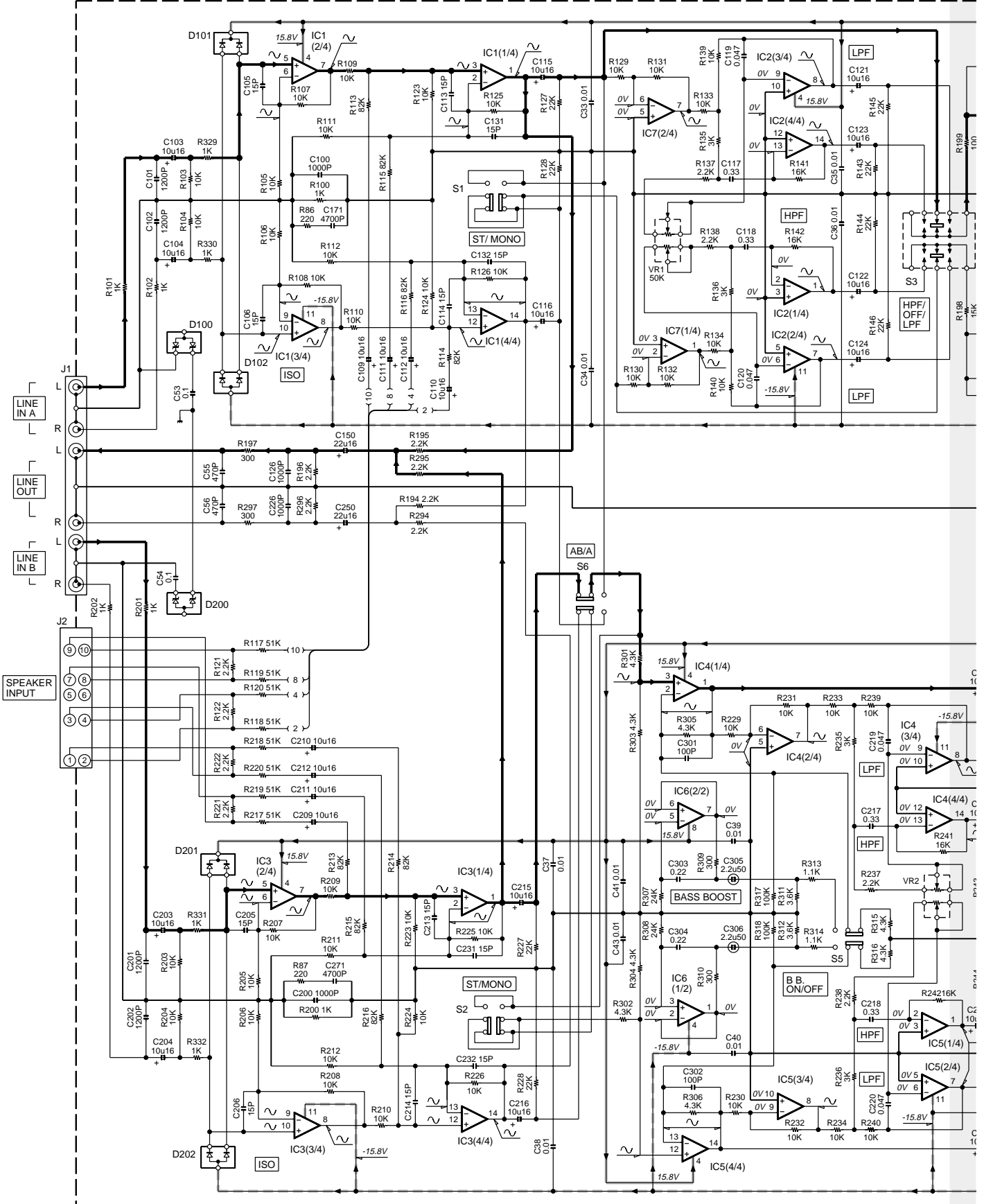


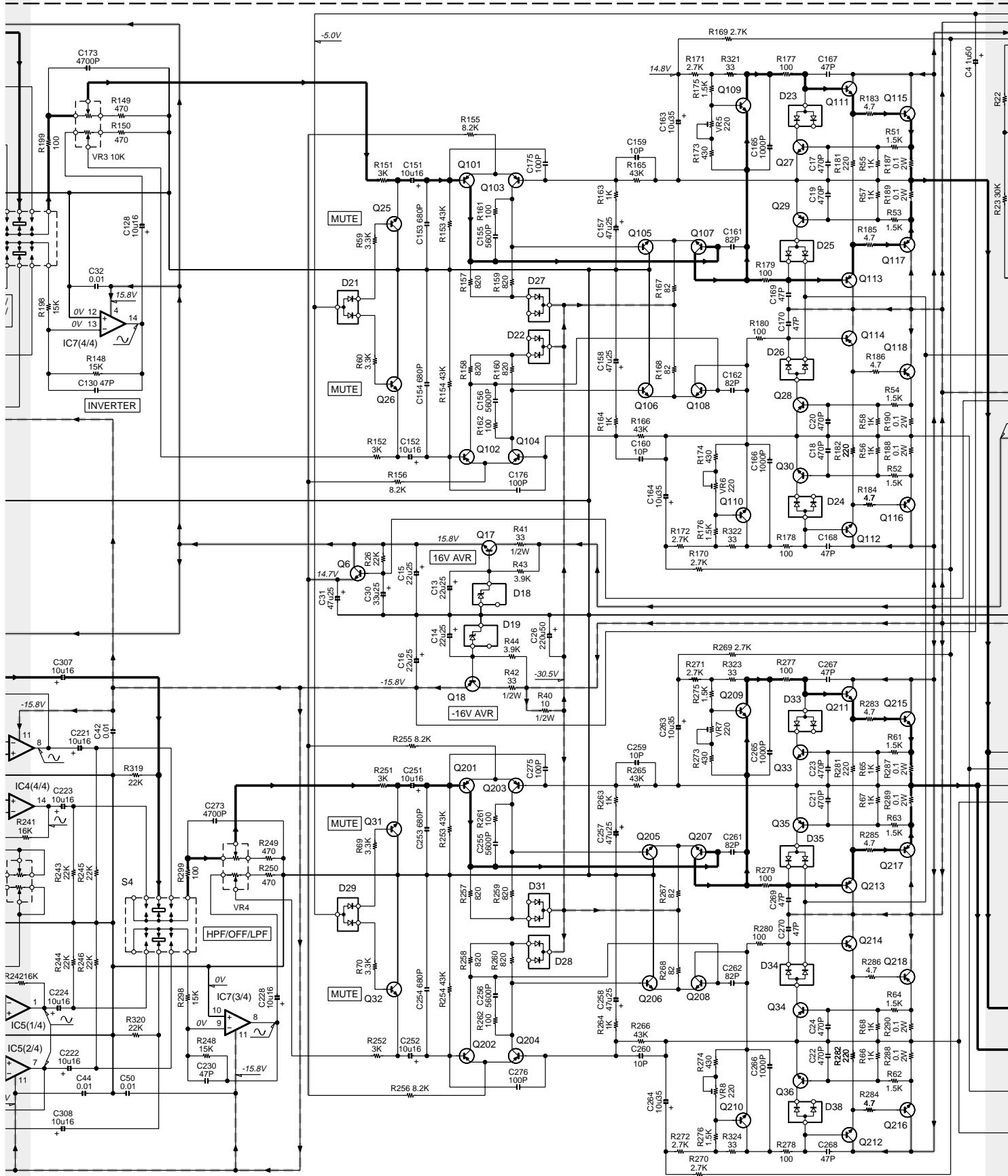
X09-5610-10

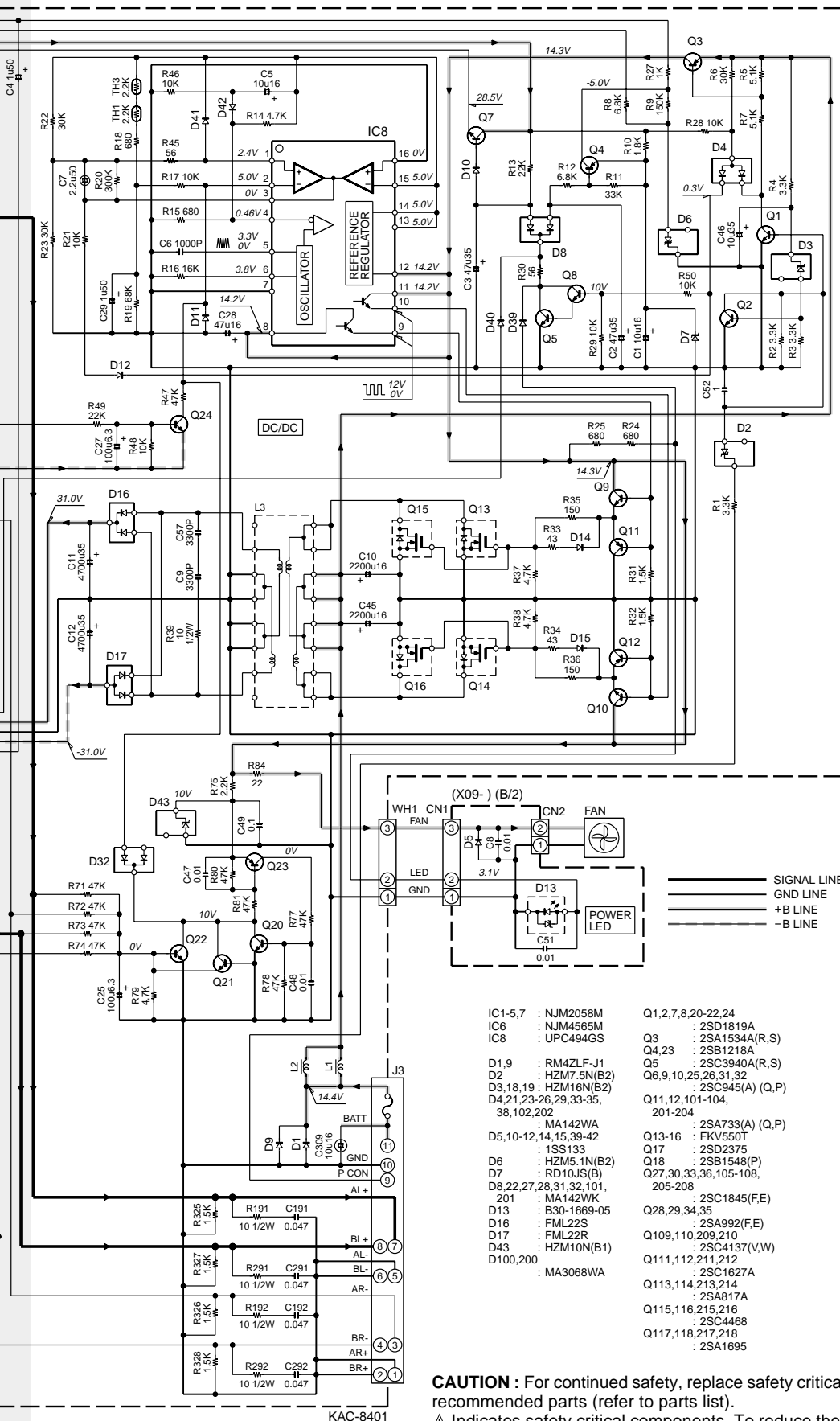
IC	Q	Address	IC	Q	Address
1		3B	34		7C
2		5B	35		2C
3		3B	36		7D
4		4B	101		5E
5		4B	102		5D
6		6B	103		5F
7		5B	104		5D
8		4E	105		5F
	1	4F	106		5D
	2	4G	107		5E
	3	4F	108		5D
	4	3C	109		6F
	5	5F	110		6D
	6	3C	111		7G
	7	3C	112		7E
	8	4F	113		7G
	9	2E	114		7D
	10	2F	115		6G
	11	2E	116		6E
	12	2E	117		6F
	13	2F	118		6D
	14	2F	201		4C
	15	2E	202		5D
	16	2F	203		4D
	17	2D	204		5D
	18	2D	205		4C
	20	4E	206		4D
	21	4F	207		4C
	22	4F	208		4C
	23	4E	209		2C
	24	4D	210		6C
	25	5E	211		1C
	26	5C	212		7C
	27	6G	213		2D
	28	7D	214		7C
	29	7F	215		2C
	30	6E	216		6C
	31	4C	217		2C
	32	4C	218		6B
	33	1C			

Refer to the schematic diagram for the values of resistors and capacitors.

(X09-5610-10) (A/2)

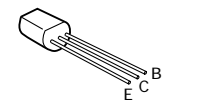




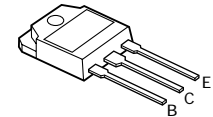


- | | |
|--------------------------------------|--|
| IC1-5,7 : NJM2058M | Q1,2,7,8,20-22,24 : 2SD1819A |
| IC6 : NJM4565M | Q3 : 2SA1534A(R,S) |
| IC8 : UPC494GS | Q4,23 : 2SB1218A |
| D1,9 : RM4ZLF-J1 | Q5 : 2SC3940A(R,S) |
| D2 : HZM7.5N(B2) | Q6,9,10,25,26,31,32 : 2SC945(A) (Q,P) |
| D3,18,19 : HZM16N(B2) | Q11,12,101-104, 201-204 : 2SA733(A) (Q,P) |
| D4,21,23-26,29,33-35, 38,102,202 | Q13-16 : FKV550T |
| D5,10-12,14,15,39-42 | Q17 : 2SD2375 |
| D6 : HZM5.1N(B2) | Q18 : 2SB1548(P) |
| D7 : RD10JS(B) | Q27,30,33,36,105-108, 205-208 : 2SC1845(F,E) |
| D8,22,27,28,31,32,101, 201 : MA142WK | Q28,29,34,35 : 2SA992(F,E) |
| D13 : B30-1669-05 | Q109,110,209,210 : 2SC4137(V,W) |
| D16 : FML22S | Q111,112,211,212 : 2SC1627A |
| D17 : FML22R | Q113,114,213,214 : 2SA817A |
| D43 : HZM10N(B1) | Q115,116,215,216 : 2SC4468 |
| D100,200 : MA3068WA | Q117,118,217,218 : 2SA1695 |

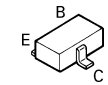
- | | |
|-----------|-----------|
| 2SA1534A | 2SC1627A |
| 2SA733(A) | 2SC1845 |
| 2SA817A | 2SC3940A |
| 2SA992 | 2SC945(A) |



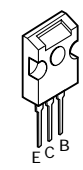
2SA1695



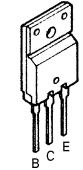
2SB1218A
2SD1819A



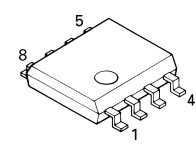
2SC4137



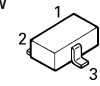
2SB1548



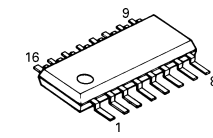
NJM4565M



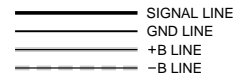
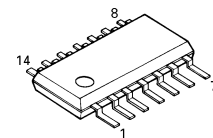
MA142WA
MA142W



UPC494GS



NJM2058M

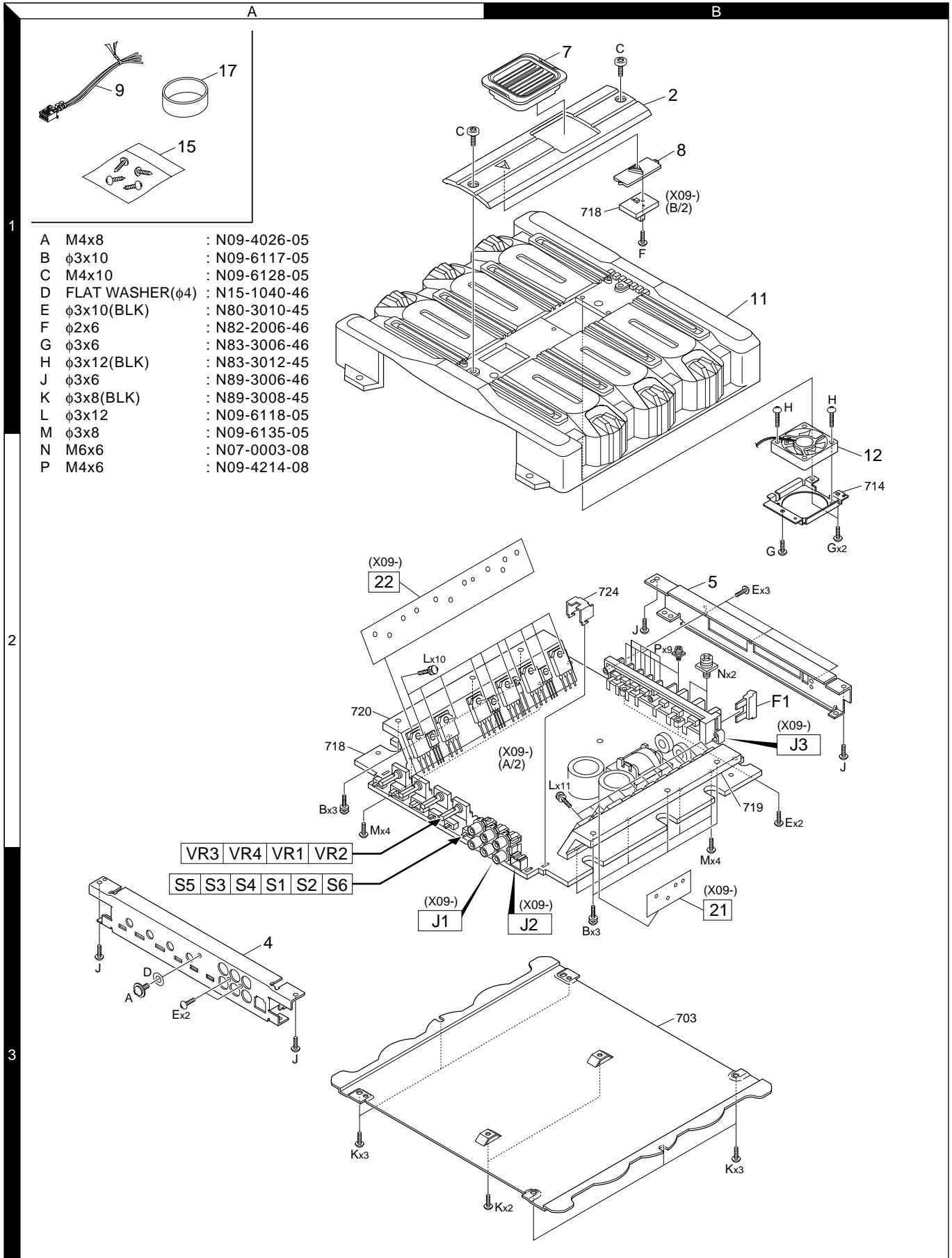


CAUTION : For continued safety, replace safety critical components only with manufacturer's recommended parts (refer to parts list).

⚠ Indicates safety critical components. To reduce the risk of electric shock, leakage-current or resistance measurements shall be carried out (exposed parts are acceptably insulated from the supply circuit) before the appliance is returned to the customer.

• DC voltages are as measured with a high impedance voltmeter. Values may vary slightly due to variations between individual instruments or/and units.

EXPLODED VIEW



PARTS LIST

* New parts

Parts without **Parts No.** are not supplied.

Les articles non mentionnés dans le **Parts No.** ne sont pas fournis.

Teile ohne **Parts No.** werden nicht geliefert.

Ref. No.	Ad	New	Parts No.	Description	Destination	Ref. No.	Ad	New	Parts No.	Description	Destination
KAC-8401											
2	1B	*	A21-4270-03	DRESSING PANEL		C27			CE04DW0J101M	ELECTRO	100UF 6.3WV
4	3A	*	A64-3053-02	PANEL		C28			CE04DW1C470M	ELECTRO	47UF 16WV
5	2B	*	A84-0347-02	REAR PANEL		C29			CE04DW1H010M	ELECTRO	1.0UF 50WV
7	1B		B07-3084-02	ESCUTCHEON		C30			CE04DW1E330M	ELECTRO	33UF 25WV
8	1B	*	B19-2214-13	LIGHTING BOARD		C31			CE04DW1E470M	ELECTRO	47UF 25WV
-			B46-0100-50	WARRANTY CARD		C32-44			CK73GB1H103K	CHIP C	0.010UF K
-		*	B64-2573-00	INSTRUCTI.MANUAL (ENG.FRE.SPA.)	KE1	C45			C90-2688-05	ELECTRO	2200UF 16WV
-		*	B64-2574-00	INSTR.MANUAL (GER.DUT.ITA.POR.)	E1	C46			CE04DW1V100M	ELECTRO	10UF 35WV
-		*	B64-2575-00	INSTRUCTION MANUAL (ENG.T.CHI.)	M1	C47,48			CK73GB1H103K	CHIP C	0.010UF K
9	1A		E30-6144-05	CONNECTING CORD ASSY		C49			CK73GB1H104K	CHIP C	0.10UF K
11	1B	*	F01-1728-11	HEAT SINK		C50,51			CK73GB1H103K	CHIP C	0.010UF K
12	2B	*	F09-1846-05	FAN		C52			CK73GB0J105K	CHIP C	1.0UF K
△ F1	2B		F52-0016-05	FUSE (BLADE TYPE) 40A		C53,54			CK73FB1H104K	CHIP C	0.10UF K
-		*	H10-4870-13	POLYSTYRENE FOAMED FIXTURE		C55,56			CK73GB1H471K	CHIP C	470PF K
-			H25-0336-04	PROTECTION BAG (170X250X0.03)		C57			CF92FV1H332J	MF-C	3300PF J
-		*	H25-1192-04	PROTECTION BAG (370X440)		C100			CF92FV1H102J	MF-C	1000PF J
-		*	H54-2879-03	ITEM CARTON CASE	E1	C101,102			CK73GB1H122K	CHIP C	1200PF K
-		*	H54-2880-03	ITEM CARTON CASE	M1	C103,104			CE04DW1C100M	ELECTRO	10UF 16WV
-		*	H54-2925-03	ITEM CARTON CASE	K	C105,106			CC73GCH1H150J	CHIP C	15PF J
15	1A		N99-1587-05	SCREW SET		C109-112			CE04DW1C100M	ELECTRO	10UF 16WV
A	3A		N09-4026-05	TAPPING SCREW (4X8,TP,S)		C113,114			CC73GCH1H150J	CHIP C	15PF J
B	2A		N09-6117-05	TAPTITE SCREW		C115,116			CE04DW1C100M	ELECTRO	10UF 16WV
C	1B		N09-6128-05	DRESSED SCREW (TORX)		C117,118			CK73FB1C334K	CHIP C	0.33UF K
D	3A		N15-1040-46	FLAT WASHER (4)		C119,120			CK73GB1H473K	CHIP C	0.047UF K
E	3A		N80-3010-45	PAN HEAD TAPTITE SCREW		C121-124			CE04DW1C100M	ELECTRO	10UF 16WV
F	1B		N82-2006-46	BINDING HEAD TAPTITE SCREW		C126			CK73GB1H102K	CHIP C	1000PF K
G	2B		N83-3006-46	PAN HEAD TAPTITE SCREW		C128			CE04DW1C100M	ELECTRO	10UF 16WV
H	1B		N83-3012-45	PAN HEAD TAPTITE SCREW		C130			CC73GCH1H470J	CHIP C	47PF J
J	2B		N89-3006-46	BINDING HEAD TAPTITE SCREW		C131,132			CC73GCH1H150J	CHIP C	15PF J
K	3B		N89-3008-45	BINDING HEAD TAPTITE SCREW		C150			CE04DW1C220M	ELECTRO	22UF 16WV
N	2B		N07-0003-08	PAN HEAD SEMS SCREW		C151,152			CE04DW1C100M	ELECTRO	10UF 16WV
P	2B		N09-4214-08	PAN HEAD SEMS SCREW		C153,154			CK73GB1H681K	CHIP C	680PF K
17	1A		W01-1606-05	ACCESSORY		C155,156			CF92FV1H562J	MF-C	5600PF J
AUDIO UNIT (X09-5610-10)											
D13			B30-1669-05	LED (BLUE)		C157,158			CE04DW1E470M	ELECTRO	47UF 25WV
C1			CE04DW1C100M	ELECTRO		C159,160			CC45FSL1H100D	CERAMIC	10PF D
C2,3			CE04DW1V470M	ELECTRO		C161,162			CC45FSL1H820J	CERAMIC	82PF J
C4			CE04DW1H010M	ELECTRO		C163,164			CE04DW1V100M	ELECTRO	10UF 35WV
C5			CE04DW1C100M	ELECTRO		C165,166			CF92FV1H102J	MF-C	1000PF J
C6			CK73GB1H102K	CHIP C		C167-170			CC45FSL1H470J	CERAMIC	47PF J
C7			CE04HW1H2R2M	NP-ELEC		C171			CK73GB1H472K	CHIP C	4700PF K
C8			CK73GB1H103K	CHIP C		C173			CK73GB1H472K	CHIP C	4700PF K
C9			CF92FV1H332J	MF-C		C175,176			CC73GCH1H101J	CHIP C	100PF J
C10			C90-2688-05	ELECTRO		C191,192			CF92FV1H473J	MF-C	0.047UF J
C11,12			C90-5372-05	ELECTRO		C200			CF92FV1H102J	MF-C	1000PF J
C13-16			CE04DW1E220M	ELECTRO		C201,202			CK73GB1H122K	CHIP C	1200PF K
C17-24			CK73GB1H471K	CHIP C		C203,204			CE04DW1C100M	ELECTRO	10UF 16WV
C25			CE04DW0J101M	ELECTRO		C205,206			CC73GCH1H150J	CHIP C	15PF J
C26			CE04DW1H221M	ELECTRO		C209-212			CE04DW1C100M	ELECTRO	10UF 16WV
						C213,214			CC73GCH1H150J	CHIP C	15PF J
						C215,216			CE04DW1C100M	ELECTRO	10UF 16WV
						C217,218			CK73FB1C334K	CHIP C	0.33UF K
						C219,220			CK73GB1H473K	CHIP C	0.047UF K
						C221-224			CE04DW1C100M	ELECTRO	10UF 16WV
						C226			CK73GB1H102K	CHIP C	1000PF K
						C228			CE04DW1C100M	ELECTRO	10UF 16WV

E1 : KAC-8401 (For Europe) K : KAC-8401 (For North America)

M1 : KAC-8401 (For Other Areas)

△ Indicates safety critical components.

PARTS LIST

* New parts

Parts without **Parts No.** are not supplied.

Les articles non mentionnes dans le **Parts No.** ne sont pas fournis.

Teile ohne **Parts No.** werden nicht geliefert.

AUDIO UNIT (X09-5610-10)

Ref. No.	A d	N e w	Parts No.	Description	Desti- nation	Ref. No.	A d	N e w	Parts No.	Description	Desti- nation
C230			CC73GCH1H470J	CHIP C 47PF J		R22,23			RK73GB2A303J	CHIP R 30K J 1/10W	
C231,232			CC73GCH1H150J	CHIP C 15PF J		R24,25			RK73FB2B681J	CHIP R 680 J 1/8W	
C250			CE04DW1C220M	ELECTRO 22UF 16WV		R26			RK73GB2A223J	CHIP R 22K J 1/10W	
C251,252			CE04DW1C100M	ELECTRO 10UF 16WV		R27			RK73GB2A102J	CHIP R 1.0K J 1/10W	
C253,254			CK73GB1H681K	CHIP C 680PF K		R28,29			RK73GB2A103J	CHIP R 10K J 1/10W	
C255,256			CF92FV1H562J	MF-C 5600PF J		R30			RD14BB2C560J	RD 56 J 1/6W	
C257,258			CE04DW1E470M	ELECTRO 47UF 25WV		R31,32			RK73GB2A152J	CHIP R 1.5K J 1/10W	
C259,260			CC45FSL1H100D	CERAMIC 10PF D		R33,34	*		RK73GB2A430J	CHIP R 43 J 1/10W	
C261,262			CC45FSL1H820J	CERAMIC 82PF J		R35,36			RK73GB2A151J	CHIP R 150 J 1/10W	
C263,264			CE04DW1V100M	ELECTRO 10UF 35WV		R37,38			RK73GB2A472J	CHIP R 4.7K J 1/10W	
C265,266			CF92FV1H102J	MF-C 1000PF J		R39,40			RD14DB2H100J	SMALL-RD 10 J 1/2W	
C267-270			CC45FSL1H470J	CERAMIC 47PF J		R41,42			RD14DB2H330J	SMALL-RD 33 J 1/2W	
C271			CK73GB1H472K	CHIP C 4700PF K		R43,44	*		RK73EB2E392J	CHIP R 3.9K J 1/4W	
C273			CK73GB1H472K	CHIP C 4700PF K		R45			RK73GB2A560J	CHIP R 56 J 1/10W	
C275,276			CC73GCH1H101J	CHIP C 100PF J		R46			RK73GB2A103J	CHIP R 10K J 1/10W	
C291,292			CF92FV1H473J	MF-C 0.047UF J		R47			RK73GB2A473J	CHIP R 47K J 1/10W	
C301,302			CC73GCH1H101J	CHIP C 100PF J		R48			RK73GB2A103J	CHIP R 10K J 1/10W	
C303,304			CK73FB1C224K	CHIP C 0.22UF K		R49			RK73GB2A223J	CHIP R 22K J 1/10W	
C305,306			CE04HW1H2R2M	NP-ELEC 2.2UF 50WV		R50			RK73GB2A103J	CHIP R 10K J 1/10W	
C307,308			CE04DW1C100M	ELECTRO 10UF 16WV		R51-54			RK73GB2A152J	CHIP R 1.5K J 1/10W	
C309			CE04HW1C100M	NP-ELEC 10UF 16WV		R55-58			RK73GB2A102J	CHIP R 1.0K J 1/10W	
CN1			E40-3247-05	PIN ASSY		R59,60			RK73GB2A332J	CHIP R 3.3K J 1/10W	
CN2			E40-3246-05	PIN ASSY		R61-64			RK73GB2A152J	CHIP R 1.5K J 1/10W	
J1		*	E63-0890-05	PIN JACK		R65-68			RK73GB2A102J	CHIP R 1.0K J 1/10W	
J2			E58-0919-05	RECTANGULAR RECEPTACLE		R69,70			RK73GB2A332J	CHIP R 3.3K J 1/10W	
J3		*	E70-0839-05	SCREW TERMINAL BOARD		R71-74			RK73GB2A473J	CHIP R 47K J 1/10W	
WH1			E39-0538-05	WIRING HARNESS		R75			RK73GB2A222J	CHIP R 2.2K J 1/10W	
21	3B	*	F20-2245-04	INSULATING SHEET		R77,78			RK73GB2A473J	CHIP R 47K J 1/10W	
22	2A	*	F20-2246-04	INSULATING SHEET		R79			RK73GB2A472J	CHIP R 4.7K J 1/10W	
L1,2			L33-1920-05	CHOKE COIL		R80,81			RK73GB2A473J	CHIP R 47K J 1/10W	
L3		*	L19-0744-05	TRANSFORMER FOR CONVERTER		R84			RD14NB2E220J	RD 22 J 1/4W	
E	2B		N80-3010-45	PAN HEAD TAPTITE SCREW		R86,87			RK73GB2A221J	CHIP R 220 J 1/10W	
L	2A		N09-6118-05	TAPTITE SCREW		R100			RK73EB2E102J	CHIP R 1.0K J 1/4W	
M	2A	*	N09-6135-05	TAPTITE SCREW (3X8 BT)		R101,102			RD14BB2C102J	RD 1.0K J 1/6W	
R1-4			RK73GB2A332J	CHIP R 3.3K J 1/10W		R103-108			RK73GB2A103J	CHIP R 10K J 1/10W	
R5			RK73GB2A512J	CHIP R 5.1K J 1/10W		R109-112			RN73GH1J103D	CHIP R 10K D 1/16W	
R6			RK73GB2A303J	CHIP R 30K J 1/10W		R113-116		*	RK73GB2A823J	CHIP R 82K J 1/10W	
R7			RK73GB2A512J	CHIP R 5.1K J 1/10W		R117-120			RK73EB2E513J	CHIP R 51K J 1/4W	
R8			RK73GB2A682J	CHIP R 6.8K J 1/10W		R121,122			RK73EB2E222J	CHIP R 2.2K J 1/4W	
R9			RK73GB2A154J	CHIP R 150K J 1/10W		R123-126			RN73GH1J103D	CHIP R 10K D 1/16W	
R10			RK73GB2A182J	CHIP R 1.8K J 1/10W		R127,128			RK73GB2A223J	CHIP R 22K J 1/10W	
R11			RK73GB2A333J	CHIP R 33K J 1/10W		R129-134			RK73GB2A103J	CHIP R 10K J 1/10W	
R12			RK73GB2A682J	CHIP R 6.8K J 1/10W		R135,136			RK73GB2A302J	CHIP R 3.0K J 1/10W	
R13			RK73GB2A223J	CHIP R 22K J 1/10W		R137,138			RK73GB2A222J	CHIP R 2.2K J 1/10W	
R14			RK73GB2A472J	CHIP R 4.7K J 1/10W		R139,140			RK73GB2A103J	CHIP R 10K J 1/10W	
R15			RK73GB2A681J	CHIP R 680 J 1/10W		R141,142			RK73GB2A163J	CHIP R 16K J 1/10W	
R16			RK73GB2A163J	CHIP R 16K J 1/10W		R143-146			RK73GB2A223J	CHIP R 22K J 1/10W	
R17			RK73GB2A103J	CHIP R 10K J 1/10W		R148			RK73GB2A153J	CHIP R 15K J 1/10W	
R18			RK73GB2A681J	CHIP R 680 J 1/10W		R149,150			RK73GB2A471J	CHIP R 470 J 1/10W	
R19		*	RK73GB2A683J	CHIP R 68K J 1/10W		R151,152			RK73GB2A302J	CHIP R 3.0K J 1/10W	
R20			RK73GB2A304J	CHIP R 300K J 1/10W		R153,154			RK73GB2A433J	CHIP R 43K J 1/10W	
R21			RK73GB2A103J	CHIP R 10K J 1/10W		R155,156			RK73GB2A822J	CHIP R 8.2K J 1/10W	
						R157-160			RK73GB2A821J	CHIP R 820 J 1/10W	
						R161,162			RK73GB2A101J	CHIP R 100 J 1/10W	
						R163,164			RK73GB2A102J	CHIP R 1.0K J 1/10W	

E1 : KAC-8401 (For Europe) K : KAC-8401 (For North America)

M1 : KAC-8401 (For Other Areas)

△ Indicates safety critical components.

PARTS LIST

* New parts

Parts without **Parts No.** are not supplied.Les articles non mentionnés dans le **Parts No.** ne sont pas fournis.Teile ohne **Parts No.** werden nicht geliefert.

AUDIO UNIT (X09-5610-10)

Ref. No.	Add	New	Parts No.	Description	Destination	Ref. No.	Add	New	Parts No.	Description	Destination
R165,166			RK73GB2A433J	CHIP R 43K J 1/10W		R313,314			RK73GB2A112J	CHIP R 1.1K J 1/10W	
R167,168			RK73GB2A820J	CHIP R 82 J 1/10W		R315,316			RK73GB2A432J	CHIP R 4.3K J 1/10W	
R169-172			RK73GB2A272J	CHIP R 2.7K J 1/10W		R317,318			RK73GB2A104J	CHIP R 100K J 1/10W	
R173,174			RK73GB2A431J	CHIP R 430 J 1/10W		R319,320			RK73GB2A223J	CHIP R 22K J 1/10W	
R175,176			RK73GB2A152J	CHIP R 1.5K J 1/10W		R321-324			RK73GB2A330J	CHIP R 33 J 1/10W	
R177-180			RD14NB2E101J	RD 100 J 1/4W		R325-328			RD14BB2C152J	RD 1.5K J 1/6W	
R181,182			RD14NB2E221J	RD 220 J 1/4W		R329-332			RK73GB2A102J	CHIP R 1.0K J 1/10W	
R183-186			RD14NB2E4R7J	RD 4.7 J 1/4W		VR1,2			R31-0208-05	VARIABLE RESISTOR	
R187-190			R92-0205-05	METAL-PLATE 0.1 K 2W		VR3,4			R31-0223-05	VARIABLE RESISTOR	
R191,192			RD14DB2H100J	SMALL-RD 10 J 1/2W		VR5-8			R12-0092-05	TRIMMING POT. (220)	
R194-196			RK73GB2A222J	CHIP R 2.2K J 1/10W		W501-543			R92-1252-05	CHIP R 0 OHM J 1/16W	
R197			RD14BB2C301J	RD 300 J 1/6W		S1,2			S62-0842-05	SLIDE SWITCH	
R198			RK73GB2A153J	CHIP R 15K J 1/10W		S3,4			S31-2630-05	SLIDE SWITCH	
R199			RK73GB2A101J	CHIP R 100 J 1/10W		S5,6			S62-0842-05	SLIDE SWITCH	
R200			RK73EB2E102J	CHIP R 1.0K J 1/4W		D1			RM4ZLF-J1	DIODE	
R201,202			RD14BB2C102J	RD 1.0K J 1/6W		D2			HZM7.5N(B2)	ZENER DIODE	
R203-208			RK73GB2A103J	CHIP R 10K J 1/10W		D2			MA3075-M	ZENER DIODE	
R209-212			RN73GH1J103D	CHIP R 10K D 1/16W		D3			HZM16N(B2)	ZENER DIODE	
R213-216			RK73GB2A823J	CHIP R 82K J 1/10W		D4			MA142WA	DIODE	
R217-220		*	RK73EB2E513J	CHIP R 51K J 1/4W		D5			1SS133	DIODE	
R221,222			RK73EB2E222J	CHIP R 2.2K J 1/4W		D6			HZM5.1N(B2)	ZENER DIODE	
R223-226			RN73GH1J103D	CHIP R 10K D 1/16W		D6			MA3051-M	ZENER DIODE	
R227,228			RK73GB2A223J	CHIP R 22K J 1/10W		D7			RD10JS(B)	ZENER DIODE	
R229-234			RK73GB2A103J	CHIP R 10K J 1/10W		D8			MA142WK	DIODE	
R235,236			RK73GB2A302J	CHIP R 3.0K J 1/10W		D9			RM4ZLF-J1	DIODE	
R237,238			RK73GB2A222J	CHIP R 2.2K J 1/10W		D10-12			1SS133	DIODE	
R239,240			RK73GB2A103J	CHIP R 10K J 1/10W		D14,15			1SS133	DIODE	
R241,242			RK73GB2A163J	CHIP R 16K J 1/10W		D16			FML22S	DIODE	
R243-246			RK73GB2A223J	CHIP R 22K J 1/10W		D17			FML22R	DIODE	
R248			RK73GB2A153J	CHIP R 15K J 1/10W		D18,19			HZM16N(B2)	ZENER DIODE	
R249,250			RK73GB2A471J	CHIP R 470 J 1/10W		D21			MA142WA	DIODE	
R251,252			RK73GB2A302J	CHIP R 3.0K J 1/10W		D22			MA142WK	DIODE	
R253,254			RK73GB2A433J	CHIP R 43K J 1/10W		D23-26			MA142WA	DIODE	
R255,256			RK73GB2A822J	CHIP R 8.2K J 1/10W		D27,28			MA142WK	DIODE	
R257-260			RK73GB2A821J	CHIP R 820 J 1/10W		D29			MA142WA	DIODE	
R261,262			RK73GB2A101J	CHIP R 100 J 1/10W		D31,32			MA142WK	DIODE	
R263,264			RK73GB2A102J	CHIP R 1.0K J 1/10W		D33-35			MA142WA	DIODE	
R265,266			RK73GB2A433J	CHIP R 43K J 1/10W		D38			MA142WA	DIODE	
R267,268			RK73GB2A820J	CHIP R 82 J 1/10W		D39-42			1SS133	DIODE	
R269-272			RK73GB2A272J	CHIP R 2.7K J 1/10W		D43			HZM10N(B1)	ZENER DIODE	
R273,274			RK73GB2A431J	CHIP R 430 J 1/10W		D43			MA3100-M	ZENER DIODE	
R275,276			RK73GB2A152J	CHIP R 1.5K J 1/10W		D100			MA3068WA	ZENER DIODE	
R277-280			RD14NB2E101J	RD 100 J 1/4W		D101			MA142WK	DIODE	
R281,282			RD14NB2E221J	RD 220 J 1/4W		D102			MA142WA	DIODE	
R283-286			RD14NB2E4R7J	RD 4.7 J 1/4W		D200			MA3068WA	ZENER DIODE	
R287-290			R92-0205-05	METAL-PLATE 0.1 K 2W		D201			MA142WK	DIODE	
R291,292			RD14DB2H100J	SMALL-RD 10 J 1/2W		D202			MA142WA	DIODE	
R294-296			RK73GB2A222J	CHIP R 2.2K J 1/10W		IC1-5			NJM2058M	ANALOGUE IC	
R297			RD14BB2C301J	RD 300 J 1/6W		IC6			NJM4565M	ANALOGUE IC	
R298			RK73GB2A153J	CHIP R 15K J 1/10W		IC7			NJM2058M	ANALOGUE IC	
R299			RK73GB2A101J	CHIP R 100 J 1/10W		IC8			UPC494GS	ANALOGUE IC	
R301-306			RK73GB2A432J	CHIP R 4.3K J 1/10W		Q1,2			2SD1819A	TRANSISTOR	
R307,308			RK73GB2A243J	CHIP R 24K J 1/10W		Q3			2SA1534A(R,S)	TRANSISTOR	
R309,310			RK73GB2A301J	CHIP R 300 J 1/10W		Q4			2SB1218A	TRANSISTOR	
R311,312			RK73GB2A362J	CHIP R 3.6K J 1/10W							

E1 : KAC-8401 (For Europe) K : KAC-8401 (For North America)

M1 : KAC-8401 (For Other Areas)

△ Indicates safety critical components.

KAC-8401

PARTS LIST / SPECIFICATIONS

* New parts

Parts without **Parts No.** are not supplied.

Les articles non mentionnés dans le **Parts No.** ne sont pas fournis.

Teile ohne **Parts No.** werden nicht geliefert.

Ref. No.	A d d	N e w	Parts No.	Description	Desti- nation
Q5			2SC3940A(R,S)	TRANSISTOR	
Q6			2SC945(A)(Q,P)	TRANSISTOR	
Q7,8			2SD1819A	TRANSISTOR	
Q9,10			2SC945(A)(Q,P)	TRANSISTOR	
Q11,12			2SA733(A)(Q,P)	TRANSISTOR	
Q13-16			FKV550T	FET	
Q17			2SD2375	TRANSISTOR	
Q18			2SB1548(P)	TRANSISTOR	
Q20-22			2SD1819A	TRANSISTOR	
Q23			2SB1218A	TRANSISTOR	
Q24			2SD1819A	TRANSISTOR	
Q25,26			2SC945(A)(Q,P)	TRANSISTOR	
Q27			2SC1845(F,E)	TRANSISTOR	
Q28,29			2SA992(F,E)	TRANSISTOR	
Q30			2SC1845(F,E)	TRANSISTOR	
Q31,32			2SC945(A)(Q,P)	TRANSISTOR	
Q33			2SC1845(F,E)	TRANSISTOR	
Q34,35			2SA992(F,E)	TRANSISTOR	
Q36			2SC1845(F,E)	TRANSISTOR	
Q101-104			2SA733(A)(Q,P)	TRANSISTOR	
Q105-108			2SC1845(F,E)	TRANSISTOR	
Q109,110			2SC4137(V,W)	TRANSISTOR	
Q111,112			2SC1627A	TRANSISTOR	
Q113,114			2SA817A	TRANSISTOR	
Q115,116			2SC4468	TRANSISTOR	
Q117,118			2SA1695	TRANSISTOR	
Q201-204			2SA733(A)(Q,P)	TRANSISTOR	
Q205-208			2SC1845(F,E)	TRANSISTOR	
Q209,210			2SC4137(V,W)	TRANSISTOR	
Q211,212			2SC1627A	TRANSISTOR	
Q213,214			2SA817A	TRANSISTOR	
Q215,216			2SC4468	TRANSISTOR	
Q217,218			2SA1695	TRANSISTOR	
TH1			PTH9L04BD222TS	POSITIVE RESISTOR	
TH3			PTH9M04BD222T	POSITIVE RESISTOR	

E1 : KAC-8401 (For Europe)

△ Indicates safety critical components.

K : KAC-8401 (For North America)

M1 : KAC-8401 (For Other Areas)

Audio Section

Max Power Output 320W x 2

Rated Power Output

Normal (4Ω) (20Hz~20kHz, 0.08% THD) 60W x 4

(4Ω) (DIN : 45324 , +B=14.4V) 60W x 4

(2Ω) (1kHz, 0.8% THD) 90W x 4

Bridged (4Ω) (1kHz, 0.8% THD) 180W x 2

Frequency Response (+0, -3dB) 5Hz~50kHz

Sensitivity (rated output) (MAX.) 0.2V

Sensitivity (rated output) (MIN.) 5.0V

Signal to Noise Ratio 100dB

Input Impedance 10kΩ

Low Pass Filter Frequency (12dB/oct.) 50~200Hz (variable)

High Pass Filter Frequency (12dB/oct.) 50~200Hz (variable)

Bass Boost Circuit (90Hz) OFF/+6dB

General

Operating Voltage 14.4V (11~16V allowable)

Current Consumption (4Ω, 10% THD) 39A

Dimensions (W x H x D) 285 x 57 x 268 mm

11-1/4 x 2-1/4 x 10-9/16 inch

Weight 2.96kg (6.5 lbs)

KENWOOD follows a policy of continuous advancements in development. For this reason specifications may be changed without notice.

KENWOOD CORPORATION

2967-3, Ishikawa-machi, Hachioji-shi, Tokyo 192-8525, Japan

KENWOOD USA CORPORATION

P.O. BOX 22745, 2201 East Dominguez Street, Long Beach, CA90801-5745, U.S.A.

KENWOOD ELECTRONICS CANADA INC.

6070 Kestrel Road, Mississauga, Ontario, Canada L5T 1S8

KENWOOD ELECTRONICS LATIN AMERICA S.A.

P.O. Box 55-2791 Paillilla, Plaza Credicorp Bank Panama, Piso 9, Oficina 901, Calle 50, Panama, Rep. de Panama

KENWOOD ELECTRONICS BRASIL LTDA.

Alameda Ministro Rocha Azevedo No. 456, Edifício Jaú, 10o Andar, Cerqueira César, Cep 01400-001, São Paulo-SP-Brasil

KENWOOD ELECTRONICS UK LIMITED

Kenwood House, Dwight Road, Watford, Herts, WD18 9EB, United Kingdom

KENWOOD ELECTRONICS DEUTSCHLAND GMBH

Rembrücker-Str. 15, 63150 Heusenstamm, Germany

KENWOOD ELECTRONICS FRANCE S.A.

13, Boulevard Ney, 75018 Paris, France

KENWOOD ELECTRONICS BELGIUM N.V.

Leuvensesteenweg 248 J, 1800 Vilvoorde, Belgium

KENWOOD ELECTRONICS ITALIA S.p.A.

Via G. Sirtori 7/9, 20129 Milano, Italy

KENWOOD IBÉRICA S.A.

Bolivia, 239-08020 Barcelona, Spain

KENWOOD ELECTRONICS AUSTRALIA PTY. LTD. (A.C.N. 001 499 074)

16 Giffnock Avenue, Centrecourt Estate, North Ryde, N.S.W. 2113, Australia

KENWOOD ELECTRONICS (HONG KONG) LTD.

Unit 3712-3724, Level 37, Tower 1, Metroplaza, 223 Hing Fong Road, Kwai Fong, N.T., Hong Kong

KENWOOD ELECTRONICS GULF FZE

P.O. Box 61318, Jebel Ali, Dubai, U.A.E.

KENWOOD ELECTRONICS (THAILAND) CO., LTD.

2019 New Pechburi Road, Bangkapi, Huaykwang, Bangkok, 10320 Thailand

KENWOOD ELECTRONICS SINGAPORE PTE. LTD.

1 Genting Lane, #07-00, Kenwood Building, Singapore, 349544

KENWOOD ELECTRONICS (MALAYSIA) SDN BHD

#4.01 Level 4, Wisma Academy Lot 4A, Jalan 19/1, 46300 Petaling Jaya, Selangor Darul Ehsan, Malaysia